

Product data sheet

Specifications



redundant processor, Modicon M580, 16MB, 61 Ethernet devices, 16 remote IO racks of X80 and Quantum IO

BMEH584040

Product availability: Stock - Normally stocked in distribution facility

Main

Range Of Product	Modicon M580
Product Or Component Type	Redundant processor module

Complementary

Number Of Racks	1
Application Specific I/O	HART SSI encoder Serial link Motion control Accurate time stamping Counter
Checks	Process control
Control Channels	Programmable loops
Integrated Connection Type	1 Ethernet TCP/IP service port 2 Ethernet TCP/IP device network USB type mini B 1 Ethernet HSBY port
Number Of Remote I/O Station	16 - 2 X80 and Quantum drops
Number Of Distributed Equipment	64
Communication Module Processor Capacity	8 AS-Interface module 4 Ethernet communication module
Communication Service	RIO scanner DIO scanner
Memory Description	Expandable flash, 4 GB data storage Integrated RAM, 10 kB system memory Integrated RAM, 16 MB program Integrated RAM, 2048 kB data
Application Structure	1 cyclic/periodic master task 1 periodic fast task
Cybersecurity	Achilles certified DoS prevention IPSec SNMP logging Syslog protocol support Transport layer security Audit trail Embedded firewall Firmware signature Password protection Port hardening Secure communication (HTTPS) Security log
Number Of Instructions Per Ms	30 Kinst/ms 65 % Boolean + 35 % fixed arithmetic 40 Kinst/ms 100 % Boolean

Price is "List Price" and may be subject to a trade discount – check with your local distributor or retailer for actual price.

Current Consumption	360 mA 24 V DC
Mtbf Reliability	650000 H
Marking	CE

Environment

Vibration Resistance	3 gn
Shock Resistance	30 gn
Ambient Air Temperature For Operation	32...140 °F (0...60 °C)
Ambient Air Temperature For Storage	-40...185 °F (-40...85 °C)
Operating Altitude	0...6561.68 ft (0...2000 m) 2000...5000 m with derating factor
Relative Humidity	5...95 % 131 °F (55 °C) without condensation
Ip Degree Of Protection	IP20
Directives	2014/35/EU - low voltage directive 2014/30/EU - electromagnetic compatibility
Supply	Internal power supply via rack
Status Led	1 LED (Green) processor running (RUN) 1 LED (Red) processor or system fault (ERR) 1 LED (Red) I/O module fault (I/O) 1 LED (Green) download in progress (DL) 1 LED (Red) memory card or CPU flash fault (BACKUP) 1 LED (green/red) ETH MS (Ethernet port configuration status) 1 LED (green/red) Eth NS (Ethernet network status) 1 LED (Green) peer processor running (REMOTE RUN) 1 LED (Green) processor ID set to A (A) 1 LED (Green) processor ID set to B (B) 1 LED (Green) processor acting as Primary (PRIM) 1 LED (Green) processor acting as Standby (STBY) 1 LED (Green) I/O values overridden by user (FORCED IO) 1 LED (Green) Hot standby link status (Hsby Diag)
Net Weight	1.87 lb(US) (0.849 kg)

Ordering and shipping details

Category	US1PC3418161
Discount Schedule	PC34
Gtin	3606485439990
Returnability	Yes
Country Of Origin	FR

Packing Units

Unit Type Of Package 1	PCE
Number Of Units In Package 1	1
Package 1 Height	3.58 in (9.100 cm)
Package 1 Width	7.09 in (18.000 cm)
Package 1 Length	10.16 in (25.800 cm)
Package 1 Weight	31.18 oz (884.000 g)
Unit Type Of Package 2	S03
Number Of Units In Package 2	6
Package 2 Height	11.81 in (30.000 cm)

Package 2 Width	11.81 in (30.000 cm)
Package 2 Length	15.75 in (40.000 cm)
Package 2 Weight	12.72 lb(US) (5.770 kg)

Sustainability

Green Premium™ label is Schneider Electric's commitment to delivering products with best-in-class environmental performance. Green Premium promises compliance with the latest regulations, transparency on environmental impacts, as well as circular and low-CO₂ products.

Guide to assessing product sustainability is a white paper that clarifies global eco-label standards and how to interpret environmental declarations.

[Learn more about Green Premium >](#)

[Guide to assess a product's sustainability >](#)



Transparency RoHS/REACH

Well-being performance

Mercury Free

Rohs Exemption Information Yes

Certifications & Standards

Reach Regulation

[REACH Declaration](#)

Eu Rohs Directive

Pro-active compliance (Product out of EU RoHS legal scope)

China Rohs Regulation

[China RoHS declaration](#)

Environmental Disclosure

[Product Environmental Profile](#)

Weee

The product must be disposed on European Union markets following specific waste collection and never end up in rubbish bins.

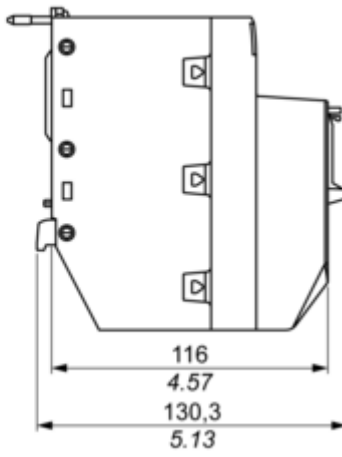
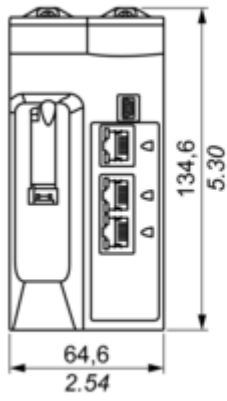
Circularity Profile

[End of Life Information](#)

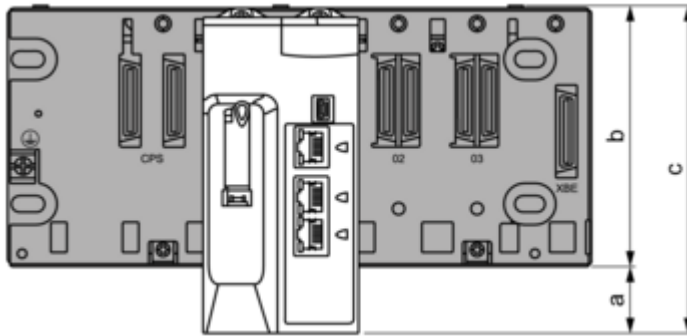
California Proposition 65

WARNING: This product can expose you to chemicals including: Lead and lead compounds, which is known to the State of California to cause cancer and birth defects or other reproductive harm. For more information go to www.P65Warnings.ca.gov

mm
in.



Modules Mounted on Racks

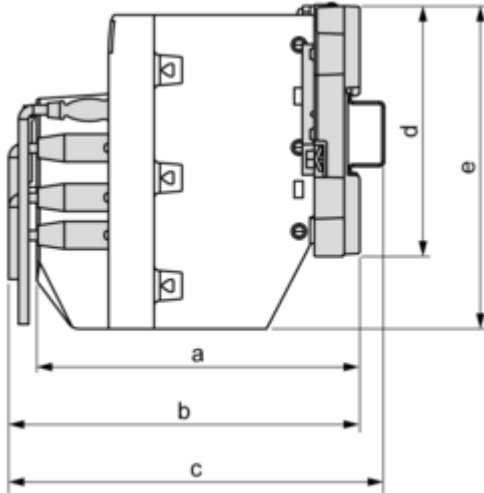


a: additional space below the rack to accommodate the height of the CPU. For an X Bus rack, the value is 30.9 mm (1.217 in.); for an Ethernet rack, the value is 29.49 mm (1.161 in.).

b: the height of the rack. For an X Bus rack, the height is 103.7 mm (4.083 in.); for an Ethernet rack, the height is 105.11 mm (4.138 in.).

c: the height of the main local rack, 134.6 mm (5.299 in.)

Modules and Cables Mounted in an Enclosure



a: enclosure depth: 135 mm (5.315 in.)

b: wiring + module depth: > 146 mm (5.748 in.)

c: wiring + module + DIN rail depth: > 156 mm (6.142 in.)

d: rack height: for an X Bus rack 103.7 mm (4.083 in.); for an Ethernet rack, 105.11 mm (4.138 in.)

e: module height: 134.6 mm (5.299 in.)